

The logo for Totflex is rendered in a bold, red, sans-serif typeface. The letters are closely spaced, and the 'x' at the end has a distinctive, slightly slanted design. The text is centered horizontally within a white rectangular area that has a fine, woven fabric texture. This white area is set against a background of light gray, which is further divided by a vertical gray bar on the left and a horizontal red bar at the bottom.

Totflex

EXTERNALLY PRESSURIZED EXPANSION JOINTS



Externally pressurized expansion joints are also known as X-Pressed Expansion Joints are used that required large thermal expansions (axial compression or axial extension). For these large expansion values standard axial expansion joints are not enough to compensate. Externally pressurized expansion joints are excellent solutions to absorb large movements in the system. Totflex externally pressurized expansion joints are designed that the flow media pressure acts on the outside of the bellows and this external pressure causing stabilizing effect. This stabilizing effect increases the bellows ability to compensate large amount of axial movements (axial compression or axial extension) without increasing the convolution number.

Application Area of X-Pressed Expansion Joints

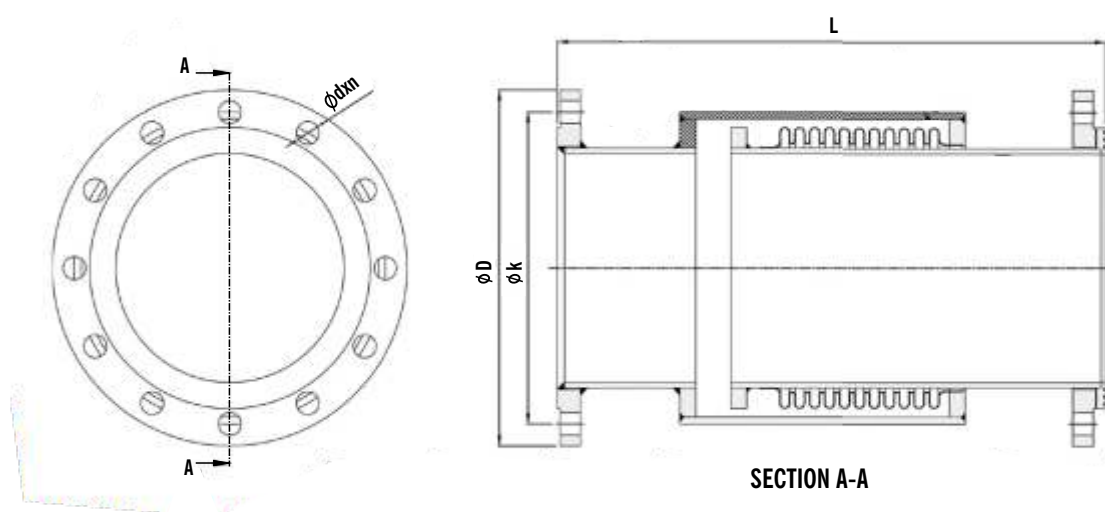
- Buried & Underground Pipelines
- Steam Plants
- Industrial Cooling Systems
- Vertical Pipeline Applications
- Geothermal Facilities
- Thermal Oil Lines

Structure & Operating Conditions

Bellow Material	Stainless Steel AISI304 (Opt. AISI316 – AISI321)
Pipe Material	Carbon Steel St37.2 (Opt. Stainless Steel)
Connection Type	Fixed & Loose Flanged and Weld Neck
Flange Material	Carbon Steel St37.2 (Opt. Stainless Steel)
Operating Pressure	PN2,5/PN6/PN10/PN16/PN25/PN64 (customized upon request)
Operating Temperature	-20 °C/+400 °C
Expansion Value	30 mm (-20, +10), 60 mm (-40, +20), 90 mm (-70, +20)
Connection Sizes	DN25(1”) – DN1200(48”)
Design Standard	EJMA Standards

EXTERNALLY PRESSURIZED EXPANSION JOINT WITH FLANGE CONNECTION

Model Type	Expansion Value	Design Pressure	Definition
EP.FL.30	30 mm (-20 mm/+10 mm)	16 bar	X-Pressed Expansion Joint with Flange Connection and 30 mm expansion capacity.
EP.FL.60	30 mm (-20 mm/+10 mm)	16 bar	X-Pressed Expansion Joint with Flange Connection and 60 mm expansion capacity.
EP.FL.90	60 mm (-40 mm/+20 mm)	16 bar	X-Pressed Expansion Joint with Flange Connection and 90 mm expansion capacity.



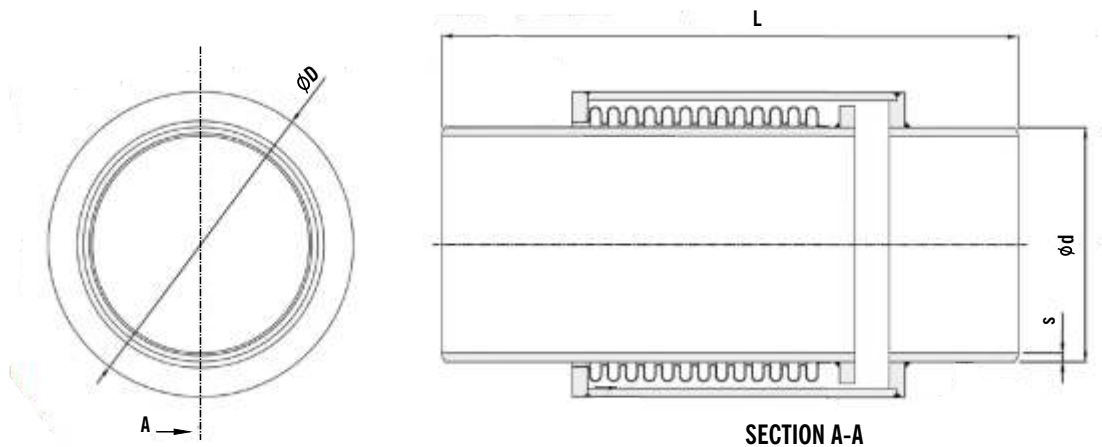
Conneciton Size		Flange Dimensions			Efective Area (cm ²)	EP.FL.30 TYPE		EP.FL.60 TYPE		EP.FL.90 TYPE	
		ØD	Øk	Ødxn		L	Product Code	L	Product Code	L	Product Code
DN25	1"	115	85	14 x 4	54	315	EP.FL.30.0025.0315	415	EP.FL.60.0025.0415	510	EP.FL.90.0025.0510
DN32	1 1/4"	140	100	18 x 4	54	325	EP.FL.30.0032.0325	425	EP.FL.60.0032.0425	520	EP.FL.90.0032.0520
DN40	1 1/2"	150	110	18 x 4	54	335	EP.FL.30.0040.0335	435	EP.FL.60.0040.0435	535	EP.FL.90.0040.0535
DN50	2"	165	125	18 x 4	89	340	EP.FL.30.0050.0340	460	EP.FL.60.0050.0460	540	EP.FL.90.0050.0540
DN65	2 1/2"	185	145	18 x 4	91	355	EP.FL.30.0065.0355	460	EP.FL.60.0065.0460	555	EP.FL.90.0065.0555
DN80	3"	200	160	18 x 8	141	355	EP.FL.30.0080.0355	465	EP.FL.60.0080.0465	570	EP.FL.90.0080.0570
DN100	4"	220	180	18 x 8	196	360	EP.FL.30.0100.0360	465	EP.FL.60.0100.0465	600	EP.FL.90.0100.0600
DN125	5"	250	210	18 x 8	272	375	EP.FL.30.0125.0375	485	EP.FL.60.0125.0485	600	EP.FL.90.0125.0600
DN150	6"	285	240	22 x 8	346	385	EP.FL.30.0150.0385	500	EP.FL.60.0150.0500	625	EP.FL.90.0150.0625
DN200	8"	340	295	22 x 12	572	435	EP.FL.30.0200.0435	560	EP.FL.60.0200.0560	700	EP.FL.90.0200.0700
DN250	10"	405	355	26 x 12	829	460	EP.FL.30.0250.0460	600	EP.FL.60.0250.0600	750	EP.FL.90.0250.0750

* All the dimensions in the table are given in "mm"

** Totflex has righth to change any thecnical alterations and deviations without any notification

EXTERNALLY PRESSURIZED EXPANSION JOINT WITH WELD NECK CONNECTION

Model Type	Expansion Value	Design Pressure	Definition
EP.WN.30	30 mm (-20 mm/+10 mm)	16 bar	X-Pressed Expansion Joint with Weld Neck Connection and 30 mm expansion capacity.
EP.WN.60	30 mm (-20 mm/+10 mm)	16 bar	X-Pressed Expansion Joint with Weld Neck Connection and 60 mm expansion capacity.
EP.WN.90	60 mm (-40 mm/+20 mm)	16 bar	X-Pressed Expansion Joint with Weld Neck Connection and 90 mm expansion capacity.



Conneciton Size		Dimensions			Efective Area (cm ²)	EP.WN.30 TYPE		EP.WN.60 TYPE		EP.WN.90 TYPE	
		Ød	Øs	ØD		L	Product Code	L	Product Code	L	Product Code
DN25	1"	33,70	3,20	88,9	54	295	EP.WN.30.0025.0295	395	EP.WN.60.0025.0395	490	EP.WN.90.0025.0490
DN32	1 1/4"	42,40	3,20	88,9	54	305	EP.WN.30.0032.0305	405	EP.WN.60.0032.0405	500	EP.WN.90.0032.0500
DN40	1 1/2"	48,30	3,20	88,9	54	315	EP.WN.30.0040.0315	415	EP.WN.60.0040.0415	515	EP.WN.90.0040.0515
DN50	2"	60,30	3,60	114,3	89	320	EP.WN.30.0050.0320	440	EP.WN.60.0050.0440	620	EP.WN.90.0050.0620
DN65	2 1/2"	76,10	3,60	114,3	91	335	EP.WN.30.0065.0335	440	EP.WN.60.0065.0440	635	EP.WN.90.0065.0635
DN80	3"	88,90	4,00	139,7	141	335	EP.WN.30.0080.0335	445	EP.WN.60.0080.0445	550	EP.WN.90.0080.0550
DN100	4"	114,30	4,50	168,0	196	340	EP.WN.30.0100.0340	445	EP.WN.60.0100.0445	580	EP.WN.90.0100.0580
DN125	5"	139,70	5,00	219,0	272	355	EP.WN.30.0125.0355	465	EP.WN.60.0125.0465	580	EP.WN.90.0125.0580
DN150	6"	165,00	5,00	273,0	346	365	EP.WN.30.0150.0365	480	EP.WN.60.0150.0480	605	EP.WN.90.0150.0605
DN200	8"	219,10	6,30	323,9	572	415	EP.WN.30.0200.0415	540	EP.WN.60.0200.0540	680	EP.WN.90.0200.0680
DN250	10"	273,00	6,30	355,6	829	440	EP.WN.30.0250.0440	580	EP.WN.60.0250.0580	730	EP.WN.90.0250.0730

* All the dimensions in the table are given in "mm"

** Totflex has righth to change any thecnical alterations and deviations without any notification

Totflex

Soganlik Yeni Mah. Ataturk Cad.
No: 6/1 Else Apt. Kat: 8 Daire: 9
Istanbul-Turkey
Tel: 0216 306 40 44
sales@totflex.net
www.totflex.net